



We Build the Invisible

# SLAB NOSE RAILING



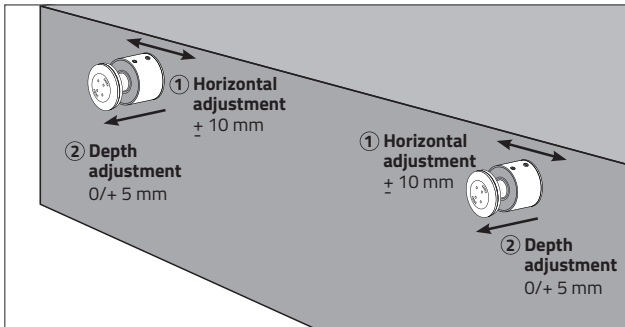


## SLAB NOSE RAILING

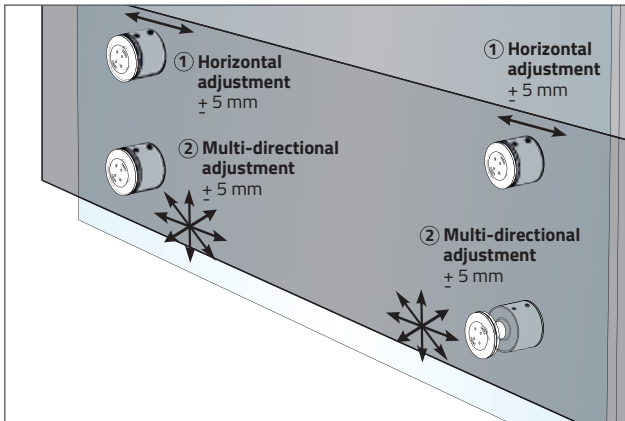
### Ref. **000110**



#### BEFORE LAYING THE GLASS



#### AFTER LAYING THE GLASS



#### TECHNICAL DATA

SPECIFICITY	Dual glass adjustment system
<b>Diameter</b>	50 mm
<b>Heigh</b>	40 mm
<b>Weight</b>	465 gr
<b>Subject</b>	Inox 304 & 316
<b>Tightening the glass screw</b>	Hardened monolithic = Mini 15 N.m Hardened laminated = 10 N.m
<b>Type of glass</b>	Laminated glass - tempered type 8/8, 10/10, 12/12 or 15/15 according to configuration
<b>Screws</b>	Socket head screw $\varnothing$ 12. Dowel to be defined according to nature of the slab or support. Excluding SADEV supply.
<b>Screws for glass</b>	Cylindrical $\varnothing$ 50
<b>Glass dimension approved</b>	Height 1 260 mm Lenght 1 000 to 1 400 mm
<b>Glass thickness</b>	17,52 21,52 25,52 31,52

#### CERTIFICATIONS

Technical Advice with AGC n° 2/15-1670

Test report N° BEB1.9.4027-9

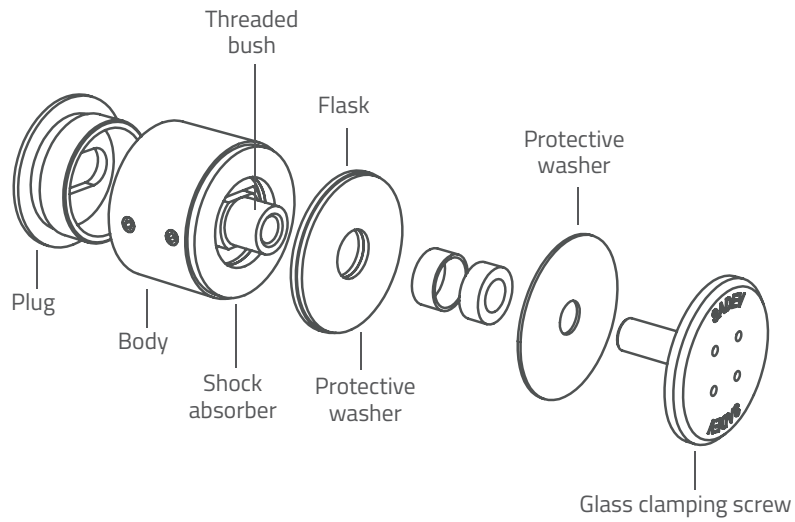
Test report N° BEB1.9.4027-15

Test report N° BEB1.9.4027-16

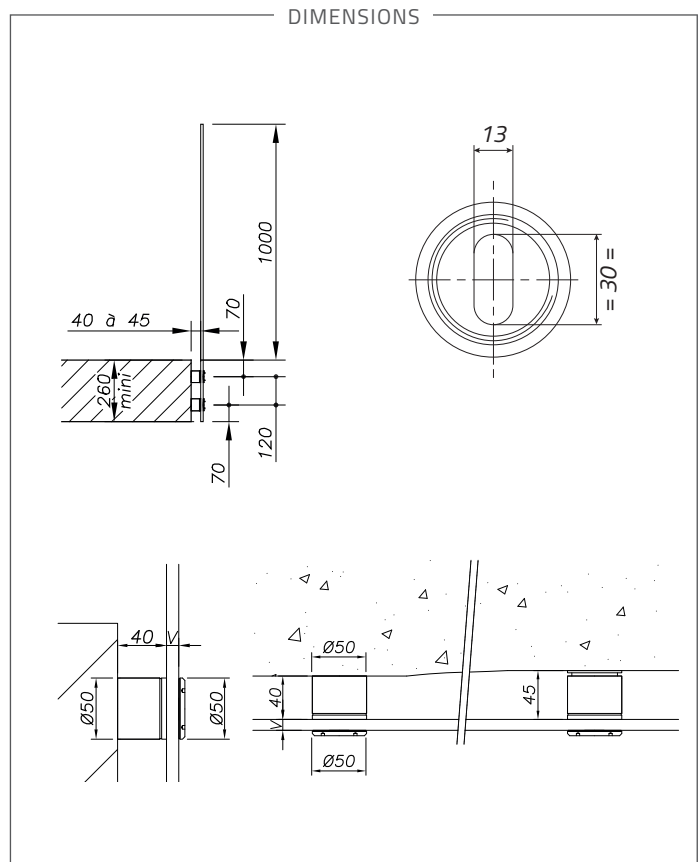
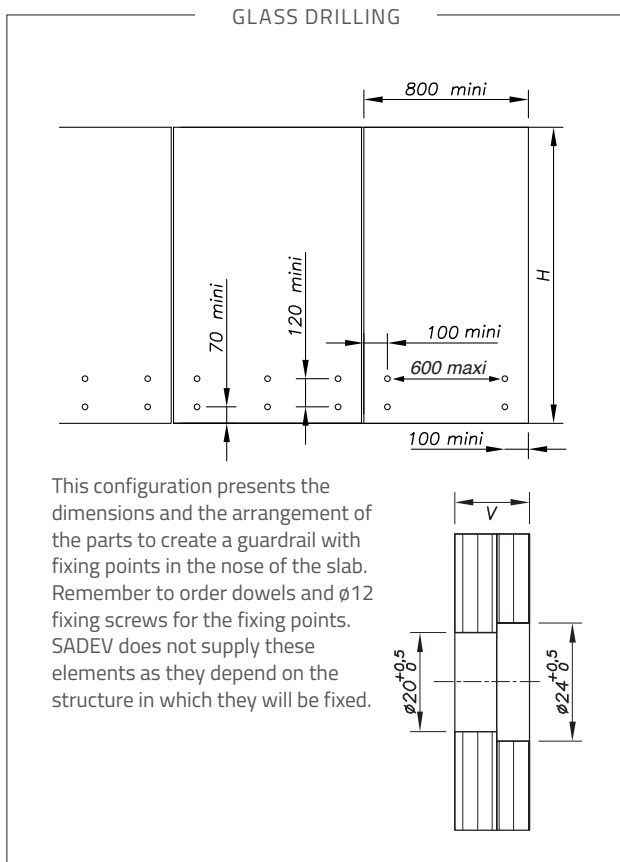


We Build the Invisible

Tél. +33(0) 4 50 08 39 00 | info@sadev.com  
76, chemin des Poses - 74330 Poisy (France)



## TECHNICAL DRAWINGS



## FINISHES

### Sst brushed

Ref. 000110



### Black

Ref. 000110N



### Copper

Ref. 000110CU



### Copper brushed

Ref. 000110CU-B



### Champagne

Ref. 000110CH



### Champagne brushed

Ref. 000110CH-B



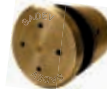
### Gold

Ref. 000110OR



### Gold brushed

Ref. 0001100-RB



Classic and coloured **304** stainless steel: *for indoor use*

Classic and coloured **316** stainless steel: *for outdoor use*



We Build the Invisible

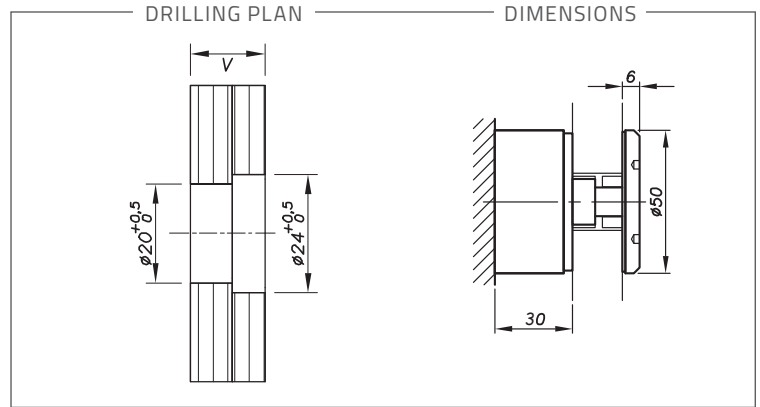
Tél. +33(0) 4 50 08 39 00 | [info@sadev.com](mailto:info@sadev.com)  
76, chemin des Poses - 74330 Poisy (France)



## SLAB NOSE RAILING- Height 30 mm Ref. 000130

### TECHNICAL DATA

SPECIFICITY		Without adjustment	
Diameter	50mm		
Height	30mm		
Reference	Material	Glass thickness	
000130	Stainless steel 304	17.52 > 21.52 mm	
000130A4	Stainless steel 316	22 > 25.52 mm	



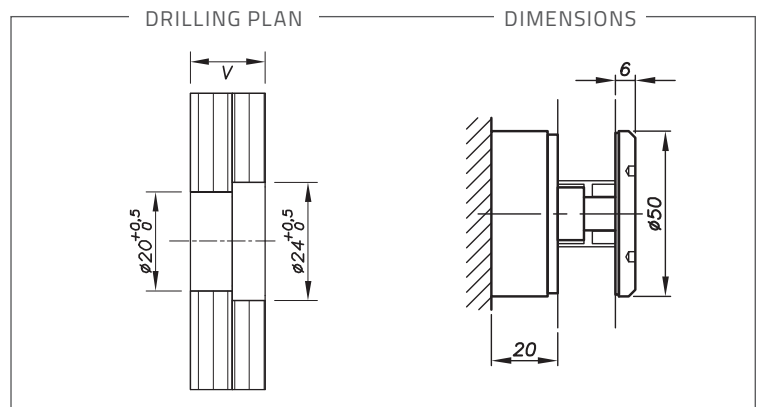
## SLAB NOSE RAILING - Height 20 mm Ref. 000120



Black finish

### TECHNICAL DATA

SPECIFICITY		Without adjustment	
Diameter	50mm		
Height	20mm		
Reference	Material	Glass thickness	
000120	Stainless steel 304	17.52 > 21.52mm	
000120-25	Stainless steel 304	22 > 25.52mm	
000120N	Stainless steel 304 Black finish	17.52 > 21.52mm	
000120A4	Stainless steel 316	17.52 > 21.52mm	



Member of  
**SIMONSWERK  
GROUP**